

Pump assembly PrimoTherm® Floor 130 for manifold systems



Benefits

- Pre-assembled and tightness-tested assembly
- Flow temperature fully adjustable between 35 and 60 °C
- Mixing valve cap with window and scale, can be lead-sealed (ideal for public facilities)
- With shut-off ball valves

Application

Pump assembly for constant control of the flow temperature of water-based surface heating systems. With the integrated thermostatic mixing valve, the flow temperature can be adjusted to a desired temperature by adding water from the return. Due to the eccentric screw connection with variable distance, PrimoTherm is suitable for almost all manifold systems.

Versions

	Part no.
Pump assembly PrimoTherm® Floor 130	77490

Blue part no. = in-stock items

Description

Complete, pre-assembled and tightness-tested pump assembly with all required functional components, including shut-off ball valve DN 20. The required flow temperature is set within a range from 35 to 60 °C at the thermostatic mixing valve mixing valve ATM 563. A cover that can be lead-sealed protects the control knob against improper adjustments during operation. The selected adjustment is visible through the window in the cap. The special chamber geometry also helps to avoid damage caused by overpressure during closing (backflow preventer to return).

The circulation pump automatically switches off if a safety-related temperature limitation is exceeded. It is adjustable between 20 to 60 °C; the factory setting is 55 °C. This helps to prevent damage to the underfloor heating system. The pump features the following operating modes:

Constant volume flow

Constant pressure

Venting function of pump housing

In venting mode, the entire surface heating/cooling system can be conveniently vented by means of the valve integrated in the pump assembly and the enclosed vent hose.



Technical specifications

System connections

Boiler: G $\frac{3}{4}$ female
Manifolds: G1 male

Operating temperature range

Medium: Max. 90 °C
Medium: short-term 110 °C

System pressure

Max. 6 bar

Flow coefficient Kvs

2.5 m³/h

Dimensions

W x H x D: 200 x 370 x 88 mm

Thermostatic mixing valve ATM 563

Adjustment range: 35/60 °C
Housing: Brass (CW626N), dezincification-resistant
Cap: Plastic (ABS/PBT)
Control knob: Plastic (ABS/PBT)
Seals: EPDM

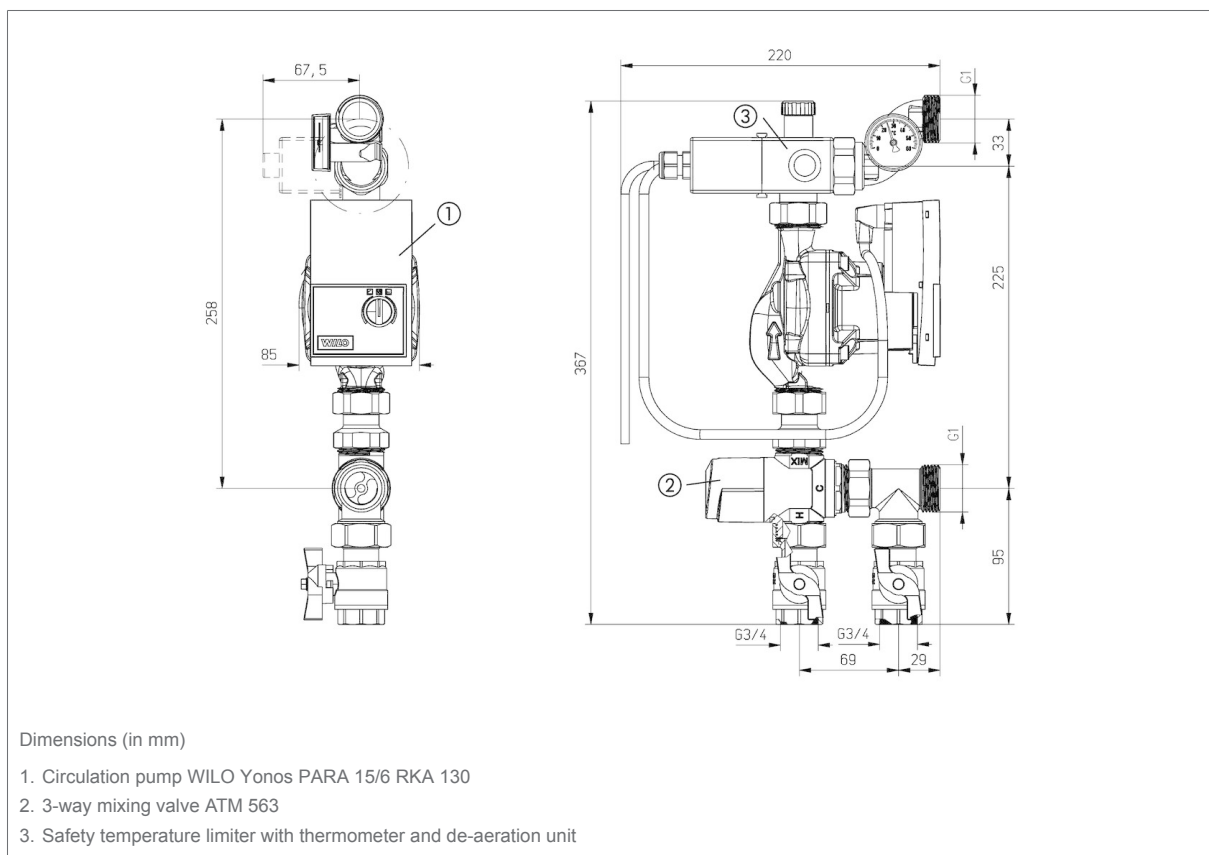
Circulation pump

WILO Yonos PARA
15/6 RKA 130
Length: 130 mm
Degree of protection: IP 44 (EN 60529)
Supply voltage: AC 230 V, 50 Hz
Pumping volume: Max. 3.3 m³/h
Pumping head: Max. 6 m

Options

- Other circulation pumps

Detail views





Technical drawings

