

## Flue gas thermometer RT for heating/plumbing



### Benefits

- Ideal for mechanical inspection of the burner of gas and oil-fired systems
- Ranges: 0/300, 0/500 °C

### Application

Flue gas thermometer RT for gas and oil-fired systems

### Technical specifications

#### Nominal size

80

#### Measuring element

Bimetal helix

#### Accuracy class

2 (EN 13190)

### Standard version

#### Connection

Stem: Stainless steel 316 L

Adjustable cone

Brass, nickel-plated: For holes  $\varnothing$  8 to 12 mm

Stainless steel: For holes  $\varnothing$  12 to 18 mm

#### Mounting position

Centre back

#### Dial

Aluminium, grey

Scaling black

#### Range

0/300 °C

0/500 °C

#### Application area

Full scale value

#### Pointer

Aluminium, black

#### Housing

Sheet steel, galvanised

#### Push on bezel

Sheet steel, nickel-plated

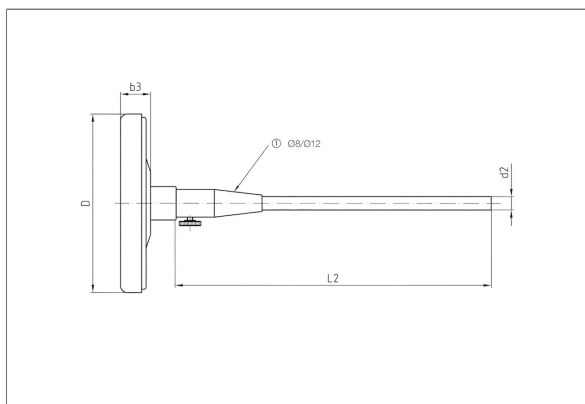
#### Window

Plastic



## Technical drawings

### Centre back connection



### Dimensions (mm)

NG	b3	D	d2	L2
80	15	80	6	141
80	15	80	6	291

## Versions

### RT 80

	Housing $\varnothing$	Connection	Range	Stem length	Part no.
	80 mm	Adjustable cone for holes $\varnothing$ 8 to 12 mm	0/300 °C	150 mm	64238
	80 mm	Adjustable cone for holes $\varnothing$ 8 to 12 mm	0/300 °C	300 mm	64239
	80 mm	Adjustable cone for holes $\varnothing$ 8 to 12 mm	0/500 °C	150 mm	63830
	80 mm	Adjustable cone for holes $\varnothing$ 12 to 18 mm	0/500 °C	150 mm	64164
	80 mm	Adjustable cone for holes $\varnothing$ 8 to 12 mm	0/500 °C	300 mm	63831

Blue part no. = in-stock items