



## Bimetal stainless steel thermometer BiTh E



### Benefits

- Suitable for use in mechanical engineering, plant engineering, process engineering or food industry
- Ideal for hygienic processes
- Accuracy class 1 as per EN 13190
- For temperatures of the medium of up to 160 °C
- With adapter ring for thermowell Ø 18 mm

### Application

For corrosive media. Suitable for a great range of industrial applications.

### Technical specifications

#### Type

D3

#### Nominal size

63 – 80 – 100

#### Measuring element

Bimetal helix

#### Accuracy class

1 (EN 13190)

#### Ranges °C

-20/+60, 0/60, 0/120, 0/160

### Standard version

#### Connection

Stem: Stainless steel 316 L, Ø 8 mm  
Stem: Plain fixed male connection, fixed G½B

#### Mounting position

Bottom or centre back

#### Dial

Aluminium, white  
Scaling black

#### Pointer

Aluminium, black

#### Application area (EN 13190)

Continuous load: Measuring range  
Short-term: Range

#### Operating pressure at thermowell

(not included in scope of delivery)  
Max. 25 bar

#### Degree of protection

IP 43 (EN 60529)

#### Housing

Stainless steel 304

#### Push on bezel

Stainless steel 304

#### Window

Instrument glass

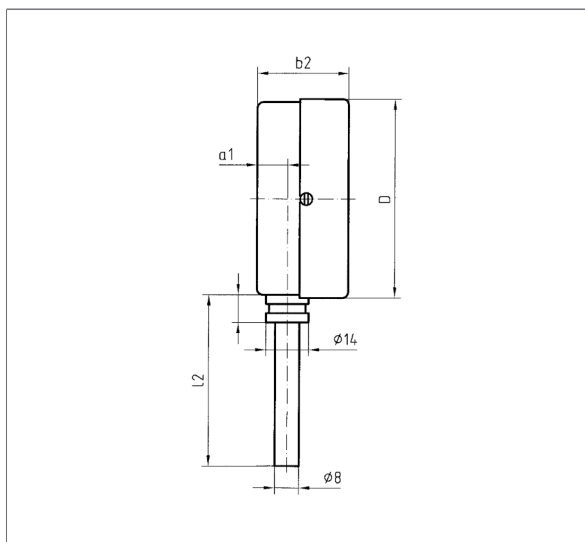


## Options

- Thermowell G½B, stainless steel 316 Ti/316 L
- Other connection designs
- Other ranges
- Other stem lengths

## Technical drawings

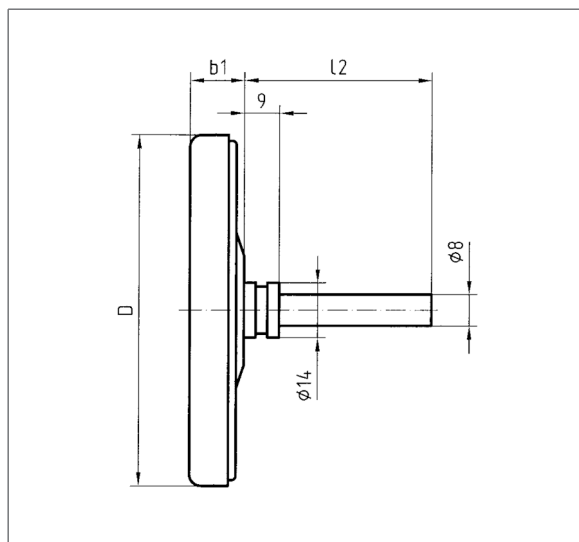
bottom connection, plain



Dimensions (mm)

NG	D	a1	b2	l2
63	63	10	34	67
63	63	10	34	67
63	63	10	34	67
100	100	10	36	104
100	100	10	36	104
100	100	10	36	104
100	100	10	36	104

centre back connection, plain

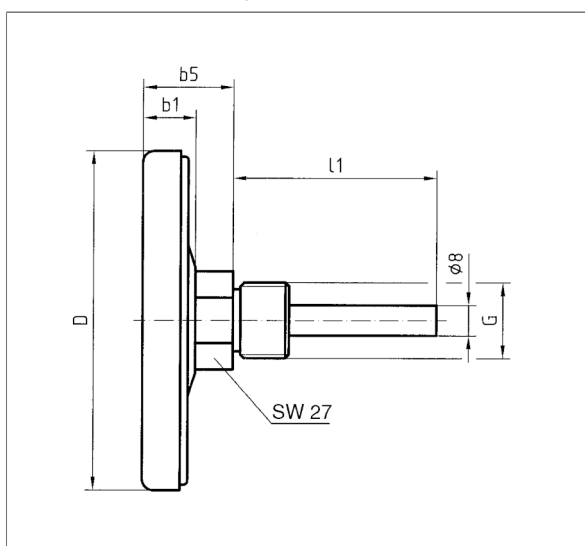


Dimensions (mm)

NG	b1	D	l2
63	15	63	67
63	15	63	104
63	15	63	154
63	15	63	204
80	15	80	67
80	15	80	104
80	15	80	154
80	15	80	204
100	17	100	67
100	17	100	104
100	17	100	154
100	17	100	204



centre back connection, fixed male connection



Dimensions (mm)

NG	D	b1	b5	l1	G
63	63	15	27	63	G½B
63	63	15	27	80	G½B
63	63	15	27	100	G½B
80	80	15	28	63	G½B
80	80	15	28	80	G½B
80	80	15	28	100	G½B
100	100	17	29	63	G½B
100	100	17	29	80	G½B
100	100	17	29	100	G½B

Versions

BiTh 63 E

Housing $\varnothing$	Mounting position	Connection	Range	For thermowell with length L1	Stem length L1	Type	Part no.
63 mm	Bottom	Plain	-20/+60 °C	63 mm		BiTh 63 E D302	66107302
63 mm	Bottom	Plain	-20/+60 °C	100 mm		BiTh 63 E D302	66108302
63 mm	Bottom	Plain	-20/+60 °C	150 mm		BiTh 63 E D302	66109302
63 mm	Bottom	Plain	-20/+60 °C	200 mm		BiTh 63 E D302	66110302
63 mm	Bottom	Plain	0/60 °C	63 mm		BiTh 63 E D302	66132302
63 mm	Bottom	Plain	0/60 °C	100 mm		BiTh 63 E D302	66133302
63 mm	Bottom	Plain	0/60 °C	150 mm		BiTh 63 E D302	66134302
63 mm	Bottom	Plain	0/60 °C	200 mm		BiTh 63 E D302	66135302
63 mm	Bottom	Plain	0/120 °C	63 mm		BiTh 63 E D302	66147302



Blue part no. = in-stock items



Housing <sup>⊗</sup>	Mounting position	Connection	Range	For thermowell with length L1	Stem length L1	Type	Part no.
63 mm	Bottom	Plain	0/120 °C	100 mm		BiTh 63 E D302	66148302
63 mm	Bottom	Plain	0/120 °C	150 mm		BiTh 63 E D302	66149302
63 mm	Bottom	Plain	0/120 °C	200 mm		BiTh 63 E D302	66150302
63 mm	Bottom	Plain	0/160 °C	63 mm		BiTh 63 E D302	66152302
63 mm	Bottom	Plain	0/160 °C	100 mm		BiTh 63 E D302	66153302
63 mm	Bottom	Plain	0/160 °C	150 mm		BiTh 63 E D302	66154302
63 mm	Bottom	Plain	0/160 °C	200 mm		BiTh 63 E D302	66155302
63 mm	Centre back	Plain	-20/+60 °C	63 mm		BiTh 63 E D312	66107312
63 mm	Centre back	Plain	-20/+60 °C	100 mm		BiTh 63 E D312	66108312
63 mm	Centre back	Plain	-20/+60 °C	150 mm		BiTh 63 E D312	66109312
63 mm	Centre back	Plain	-20/+60 °C	200 mm		BiTh 63 E D312	66110312
63 mm	Centre back	Plain	0/60 °C	63 mm		BiTh 63 E D312	66132312
63 mm	Centre back	Plain	0/60 °C	100 mm		BiTh 63 E D312	66133312
63 mm	Centre back	Plain	0/60 °C	150 mm		BiTh 63 E D312	66134312
63 mm	Centre back	Plain	0/60 °C	200 mm		BiTh 63 E D312	66135312
63 mm	Centre back	Plain	0/120 °C	45 mm		BiTh 63 E D312	<a href="#">66146312</a>
63 mm	Centre back	Plain	0/120 °C	63 mm		BiTh 63 E D312	<a href="#">66147312</a>
63 mm	Centre back	Plain	0/120 °C	100 mm		BiTh 63 E D312	<a href="#">66148312</a>
63 mm	Centre back	Plain	0/120 °C	150 mm		BiTh 63 E D312	<a href="#">66149312</a>
63 mm	Centre back	Plain	0/120 °C	200 mm		BiTh 63 E D312	66150312
63 mm	Centre back	Plain	0/160 °C	63 mm		BiTh 63 E D312	66152312
63 mm	Centre back	Plain	0/160 °C	100 mm		BiTh 63 E D312	66153312
63 mm	Centre back	Plain	0/160 °C	150 mm		BiTh 63 E D312	66154312
63 mm	Centre back	Plain	0/160 °C	200 mm		BiTh 63 E D312	66155312
63 mm	Centre back	Fixed male connection, fixed G½B	0/60 °C		63 mm	BiTh 63 E D312	66132312AF-G4D8
63 mm	Centre back	Fixed male connection, fixed G½B	0/60 °C		63 mm	BiTh 63 E D312	66133312AF-G4D8
63 mm	Centre back	Fixed male connection, fixed G½B	0/60 °C		150 mm	BiTh 63 E D312	66134312AF-G4D8



Blue part no. = in-stock items



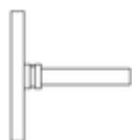
Housing $\varnothing$	Mounting position	Connection	Range	For thermowell with length L1	Stem length L1	Type	Part no.
63 mm	Centre back	Fixed male connection, fixed G $\frac{1}{2}$ B	0/60 °C		200 mm	BiTh 63 E D312	66135312AF-G4D8
63 mm	Centre back	Fixed male connection, fixed G $\frac{1}{2}$ B	0/120 °C		63 mm	BiTh 63 E D312	66147312AF-G4D8
63 mm	Centre back	Fixed male connection, fixed G $\frac{1}{2}$ B	0/120 °C		100 mm	BiTh 63 E D312	66148312AF-G4D8
63 mm	Centre back	Fixed male connection, fixed G $\frac{1}{2}$ B	0/120 °C		150 mm	BiTh 63 E D312	66149312AF-G4D8
63 mm	Centre back	Fixed male connection, fixed G $\frac{1}{2}$ B	0/120 °C		200 mm	BiTh 63 E D312	66150312AF-G4D8
63 mm	Centre back	Fixed male connection, fixed G $\frac{1}{2}$ B	0/160 °C		63 mm	BiTh 63 E D312	66152312AF-G4D8
63 mm	Centre back	Fixed male connection, fixed G $\frac{1}{2}$ B	0/160 °C		100 mm	BiTh 63 E D312	66153312AF-G4D8
63 mm	Centre back	Fixed male connection, fixed G $\frac{1}{2}$ B	0/160 °C		150 mm	BiTh 63 E D312	66154312AF-G4D8
63 mm	Centre back	Fixed male connection, fixed G $\frac{1}{2}$ B	0/160 °C		200 mm	BiTh 63 E D312	66155312AF-G4D8

Blue part no. = in-stock items

#### BiTh 80 E

Housing $\varnothing$	Mounting position	Connection	Range	For thermowell with length L1	Stem length L1	Type	Part no.
80 mm	Centre back	Plain	-20/+60 °C	63 mm		BiTh 80 E D312	66207312
80 mm	Centre back	Plain	-20/+60 °C	100 mm		BiTh 80 E D312	66208312
80 mm	Centre back	Plain	-20/+60 °C	150 mm		BiTh 80 E D312	66209312
80 mm	Centre back	Plain	-20/+60 °C	200 mm		BiTh 80 E D312	66210312
80 mm	Centre back	Plain	0/60 °C	63 mm		BiTh 80 E D312	66232312
80 mm	Centre back	Plain	0/60 °C	100 mm		BiTh 80 E D312	66233312
80 mm	Centre back	Plain	0/60 °C	150 mm		BiTh 80 E D312	66234312
80 mm	Centre back	Plain	0/60 °C	200 mm		BiTh 80 E D312	66235312
80 mm	Centre back	Plain	0/120 °C	45 mm		BiTh 80 E D312	66246312
80 mm	Centre back	Plain	0/120 °C	63 mm		BiTh 80 E D312	66247312
80 mm	Centre back	Plain	0/120 °C	100 mm		BiTh 80 E D312	66248312
80 mm	Centre back	Plain	0/120 °C	150 mm		BiTh 80 E D312	66249312
80 mm	Centre back	Plain	0/120 °C	200 mm		BiTh 80 E D312	66250312

Blue part no. = in-stock items





Housing $\varnothing$	Mounting position	Connection	Range	For thermowell with length L1	Stem length L1	Type	Part no.
80 mm	Centre back	Plain	0/160 °C	63 mm		BiTh 80 E D312	66252312
80 mm	Centre back	Plain	0/160 °C	100 mm		BiTh 80 E D312	66253312
80 mm	Centre back	Plain	0/160 °C	150 mm		BiTh 80 E D312	66254312
80 mm	Centre back	Plain	0/160 °C	200 mm		BiTh 80 E D312	66255312
80 mm	Centre back	Fixed male connection, fixed G $\frac{1}{2}$ B	0/60 °C		63 mm	BiTh 80 E D312	66232312AF-G4D8
80 mm	Centre back	Fixed male connection, fixed G $\frac{1}{2}$ B	0/60 °C		100 mm	BiTh 80 E D312	66233312AF-G4D8
80 mm	Centre back	Fixed male connection, fixed G $\frac{1}{2}$ B	0/60 °C		150 mm	BiTh 80 E D312	66234312AF-G4D8
80 mm	Centre back	Fixed male connection, fixed G $\frac{1}{2}$ B	0/60 °C		200 mm	BiTh 80 E D312	66235312AF-G4D8
80 mm	Centre back	Fixed male connection, fixed G $\frac{1}{2}$ B	0/120 °C		63 mm	BiTh 80 E D312	66247312AF-G4D8
80 mm	Centre back	Fixed male connection, fixed G $\frac{1}{2}$ B	0/120 °C		100 mm	BiTh 80 E D312	66248312AF-G4D8
80 mm	Centre back	Fixed male connection, fixed G $\frac{1}{2}$ B	0/120 °C		150 mm	BiTh 80 E D312	66249312AF-G4D8
80 mm	Centre back	Fixed male connection, fixed G $\frac{1}{2}$ B	0/120 °C		200 mm	BiTh 80 E D312	66250312AF-G4D8
80 mm	Centre back	Fixed male connection, fixed G $\frac{1}{2}$ B	0/160 °C		63 mm	BiTh 80 E D312	66252312AF-G4D8
80 mm	Centre back	Fixed male connection, fixed G $\frac{1}{2}$ B	0/160 °C		100 mm	BiTh 80 E D312	66253312AF-G4D8
80 mm	Centre back	Fixed male connection, fixed G $\frac{1}{2}$ B	0/160 °C		150 mm	BiTh 80 E D312	66254312AF-G4D8
80 mm	Centre back	Fixed male connection, fixed G $\frac{1}{2}$ B	0/160 °C		200 mm	BiTh 80 E D312	66255312AF-G4D8



Blue part no. = in-stock items

### BiTh 100 E

Housing $\varnothing$	Mounting position	Connection	Range	For thermowell with length L1	Stem length L1	Type	Part no.
100 mm	Bottom	Plain	-20/+60 °C	63 mm		BiTh 100 E D302	66307302
100 mm	Bottom	Plain	-20/+60 °C	100 mm		BiTh 100 E D302	66308302
100 mm	Bottom	Plain	-20/+60 °C	150 mm		BiTh 100 E D302	66309302
100 mm	Bottom	Plain	-20/+60 °C	200 mm		BiTh 100 E D302	66310302



Blue part no. = in-stock items



Housing <sup>®</sup>	Mounting position	Connection	Range	For thermowell with length L1	Stem length L1	Type	Part no.
100 mm	Bottom	Plain	0/60 °C	63 mm		BiTh 100 E D302	66332302
100 mm	Bottom	Plain	0/60 °C	100 mm		BiTh 100 E D302	66333302
100 mm	Bottom	Plain	0/60 °C	150 mm		BiTh 100 E D302	66334302
100 mm	Bottom	Plain	0/60 °C	200 mm		BiTh 100 E D302	66335302
100 mm	Bottom	Plain	0/120 °C	63 mm		BiTh 100 E D302	66347302
100 mm	Bottom	Plain	0/120 °C	100 mm		BiTh 100 E D302	66348302
100 mm	Bottom	Plain	0/120 °C	150 mm		BiTh 100 E D302	66349302
100 mm	Bottom	Plain	0/120 °C	200 mm		BiTh 100 E D302	66350302
100 mm	Bottom	Plain	0/160 °C	63 mm		BiTh 100 E D302	66352302
100 mm	Bottom	Plain	0/160 °C	100 mm		BiTh 100 E D302	66353302
100 mm	Bottom	Plain	0/160 °C	150 mm		BiTh 100 E D302	66354302
100 mm	Bottom	Plain	0/160 °C	200 mm		BiTh 100 E D302	66355302
100 mm	Centre back	Plain	-20/+60 °C	63 mm		BiTh 100 E D312	<a href="#">66307312</a>
100 mm	Centre back	Plain	-20/+60 °C	100 mm		BiTh 100 E D312	<a href="#">66308312</a>
100 mm	Centre back	Plain	-20/+60 °C	150 mm		BiTh 100 E D312	<a href="#">66309312</a>
100 mm	Centre back	Plain	-20/+60 °C	200 mm		BiTh 100 E D312	66310312
100 mm	Centre back	Plain	0/60 °C	63 mm		BiTh 100 E D312	<a href="#">66332312</a>
100 mm	Centre back	Plain	0/60 °C	100 mm		BiTh 100 E D312	<a href="#">66333312</a>
100 mm	Centre back	Plain	0/60 °C	150 mm		BiTh 100 E D312	<a href="#">66334312</a>
100 mm	Centre back	Plain	0/60 °C	200 mm		BiTh 100 E D312	66335312
100 mm	Centre back	Plain	0/120 °C	45 mm		BiTh 100 E D312	<a href="#">66346312</a>
100 mm	Centre back	Plain	0/120 °C	63 mm		BiTh 100 E D312	<a href="#">66347312</a>
100 mm	Centre back	Plain	0/120 °C	100 mm		BiTh 100 E D312	<a href="#">66348312</a>
100 mm	Centre back	Plain	0/120 °C	150 mm		BiTh 100 E D312	<a href="#">66349312</a>
100 mm	Centre back	Plain	0/120 °C	200 mm		BiTh 100 E D312	<a href="#">66350312</a>
100 mm	Centre back	Plain	0/160 °C	63 mm		BiTh 100 E D312	66352312
100 mm	Centre back	Plain	0/160 °C	100 mm		BiTh 100 E D312	66353312
100 mm	Centre back	Plain	0/160 °C	150 mm		BiTh 100 E D312	66354312



Blue part no. = in-stock items



Housing <sup>ø</sup>	Mounting position	Connection	Range	For thermowell with length L1	Stem length L1	Type	Part no.
100 mm	Centre back	Plain	0/160 °C	200 mm		BiTh 100 E D312	66355312
100 mm	Centre back	Fixed male connection, fixed G½B	0/60 °C		63 mm	BiTh 100 E D312	66332312AF-G4D8
100 mm	Centre back	Fixed male connection, fixed G½B	0/60 °C		100 mm	BiTh 100 E D312	<b>66333312AF-G4D8</b>
100 mm	Centre back	Fixed male connection, fixed G½B	0/60 °C		150 mm	BiTh 100 E D312	66334312AF-G4D8
100 mm	Centre back	Fixed male connection, fixed G½B	0/60 °C		200 mm	BiTh 100 E D312	66335312AF-G4D8
100 mm	Centre back	Fixed male connection, fixed G½B	0/120 °C		63 mm	BiTh 100 E D312	<b>66347312AF-G4D8</b>
100 mm	Centre back	Fixed male connection, fixed G½B	0/120 °C		100 mm	BiTh 100 E D312	<b>66348312AF-G4D8</b>
100 mm	Centre back	Fixed male connection, fixed G½B	0/120 °C		150 mm	BiTh 100 E D312	<b>66349312AF-G4D8</b>
100 mm	Centre back	Fixed male connection, fixed G½B	0/120 °C		200 mm	BiTh 100 E D312	<b>66350312AF-G4D8</b>
100 mm	Centre back	Fixed male connection, fixed G½B	0/160 °C		63 mm	BiTh 100 E D312	66352312AF-G4D8
100 mm	Centre back	Fixed male connection, fixed G½B	0/160 °C		100 mm	BiTh 100 E D312	66353312AF-G4D8
100 mm	Centre back	Fixed male connection, fixed G½B	0/160 °C		150 mm	BiTh 100 E D312	66354312AF-G4D8
100 mm	Centre back	Fixed male connection, fixed G½B	0/160 °C		200 mm	BiTh 100 E D312	66355312AF-G4D8



Blue part no. = in-stock items